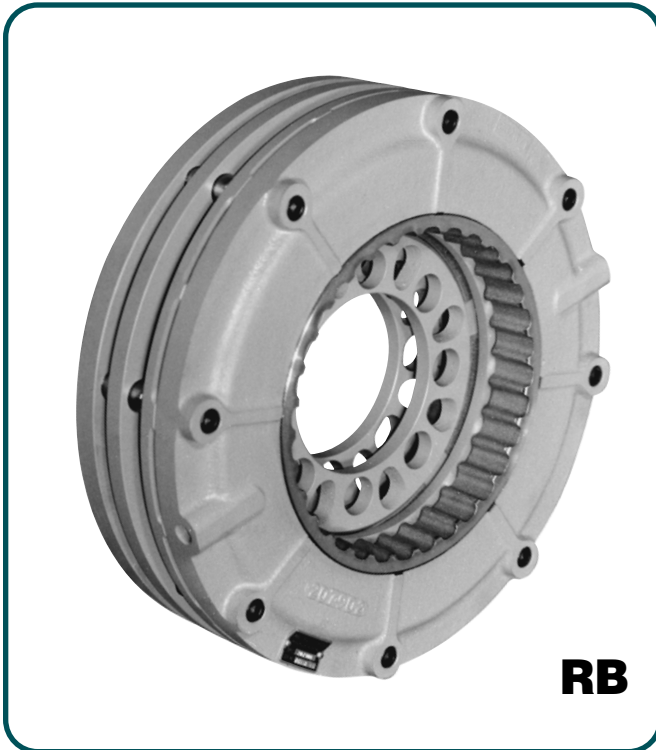


Industrial Clutch Products



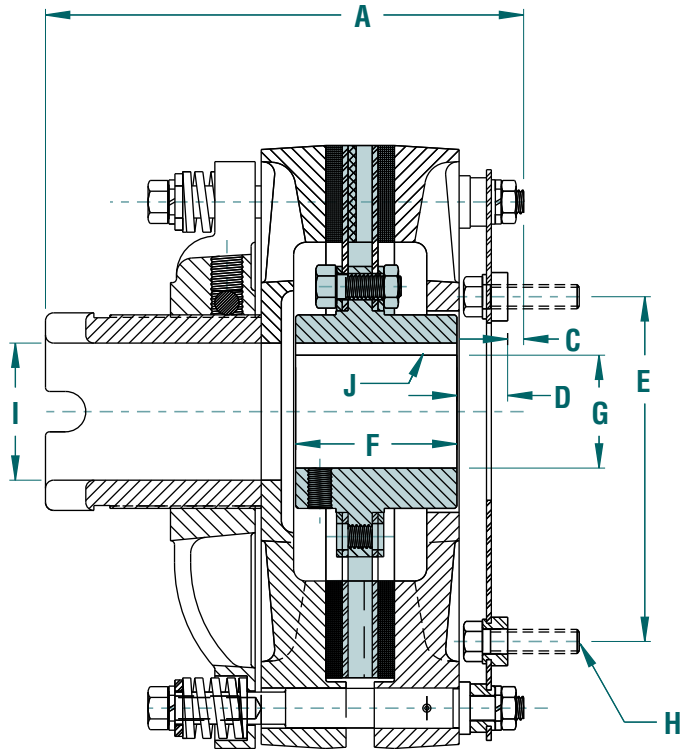
MODEL
RB/RBS/LK/LKV

Tension Brakes

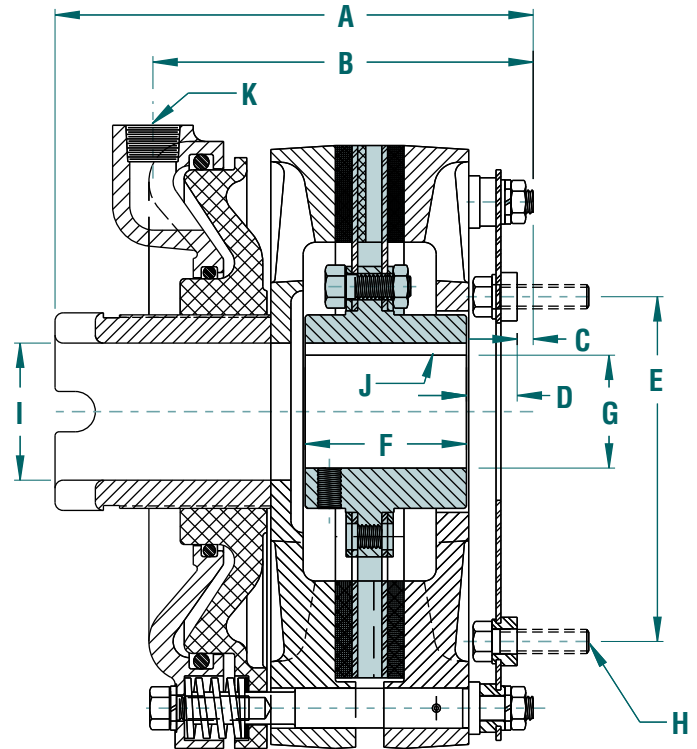
Model LK

Model LKV

CONSTANT TENSION BRAKE



VARIABLE TENSION BRAKE



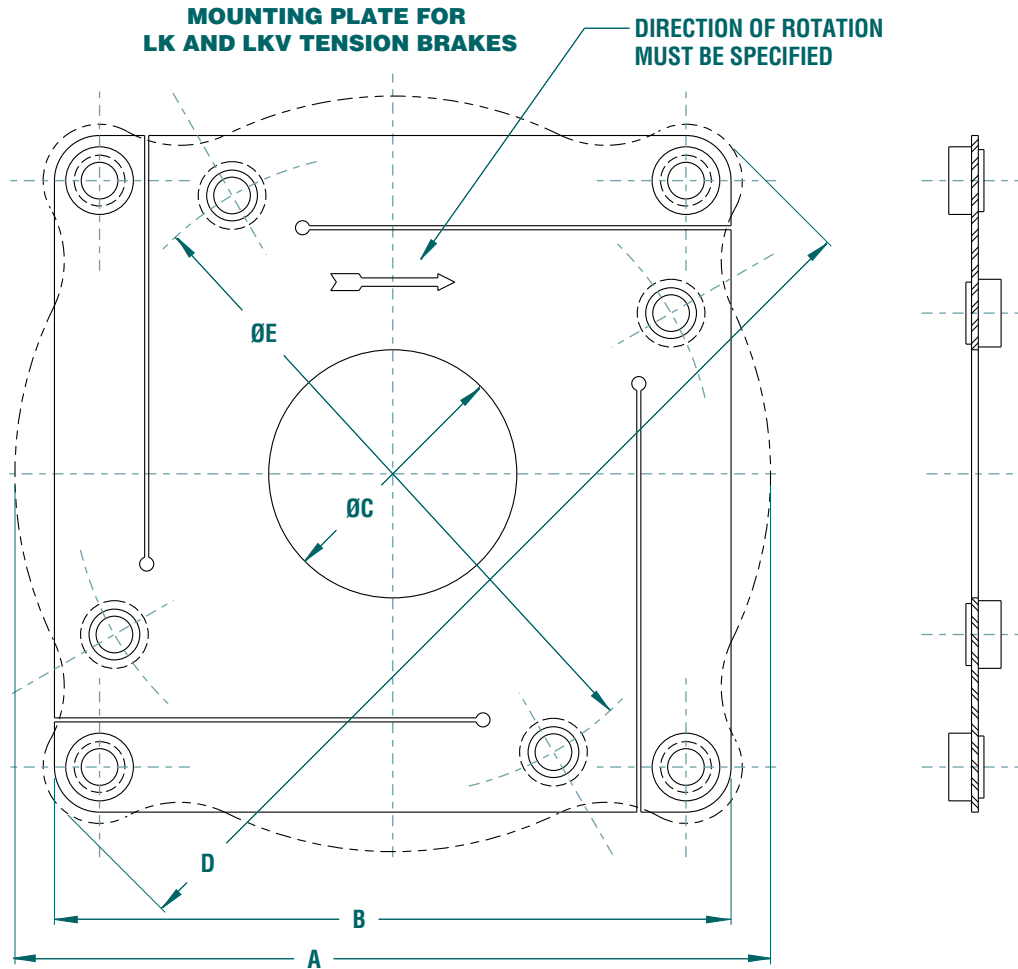
DIMENSIONAL DATA

All dimensions in inches

LK/LKV Model	Static Torque (lb.-in.)	Dynamic Torque (lb.-in.)	Thermal Capacity (ft. lbs./min.)	Weight Inner (lbs.)	Weight Total (lbs.)	WR ² Inner (lb.-ft. ²)	A	B	C	D	E	F	G	H		I	J	K
														No.	Size			
LK-105	550	475	8,240	2.06	8	.032	4.94	4.16	0.17	0.30	5.00	2.00	15/16	4	1/4	1.69	1/4	
LKV-105	770	665	8,240	2.06	11	.032	4.94	4.16	0.17	0.30	5.00	2.00	16/16	4	1/4	1.69	1/4	3/8
LK-106	715	620	14,500	4.13	16	.120	4.80	4.50	0.16	0.03	6.50	2.25	1-1/4	4	1/4	2.00	1/4	1/2
LKV-106	2,055	1,780	14,500	4.13	20	.120	5.31	4.50	0.16	0.03	6.50	2.25	1-1/4	4	1/4	2.00	1/4	
LK-108	2,300	2,000	19,150	7.63	33	.338	6.56	5.91	0.23	0.78	8.25	2.50	1-3/4	4	3/8	2.13	3/8	1/2
LKV-108	5,135	4,450	19,150	7.63	35	.338	6.56	5.91	0.23	0.78	8.25	2.50	1-3/4	4	3/8	2.13	3/8	
LK-110	4,300	3,725	30,940	9.25	58	.610	7.59	6.59	0.38	1.08	10.00	2.50	2	4	1/2	2.13	3/8	1/2
LKV-110	9,925	8,600	30,940	9.25	62	.610	7.59	6.59	0.38	1.08	10.00	2.50	2	4	1/2	2.13	3/8	
LK-112	5,280	4,575	47,600	11.50	72	1.060	8.75	7.50	0.31	1.41	12.25	2.50	2	4	1/2	2.88	3/8	1/2
LKV-112	15,700	13,600	47,600	11.50	80	1.060	8.75	7.50	0.31	1.41	12.25	2.50	2	4	1/2	2.88	3/8	

- NOTES:** 1.) Torque capacities based on 80 PSI air pressure for Model LKV brakes and 80% of maximum standard spring pressures for Model LK brakes.
 2.) Water-cooled versions available at approximately four times the thermal capacity listed. Consult factory.

- 3.) Use certified drawing dimensions only for final layouts.
 4.) DXF and IGES files available upon request.
 5.) Dimensions subject to change without notice.



MOUNTING PLATE

All dimensions in inches

LK/LKV Model	A Ref.	B	C	D Ref.	E
LK-105	5.00	5.00	2.00	6.88	3.75
LKV-105	5.18	5.00	2.00	6.88	3.75
LK-106	6.50	6.13	2.00	8.38	4.75
LKV-106	6.50	6.13	2.00	8.38	4.75
LK-108	8.25	7.50	2.75	10.50	7.13
LKV-108	8.25	7.50	2.75	10.50	7.13
LK-110	10.00	9.63	5.00	13.00	9.00
LKV-110	10.13	9.63	5.00	13.00	9.00
LK-112	12.25	11.38	5.00	15.75	10.00
LKV-112	12.25	11.38	5.00	15.75	10.00

MODEL LK OR LKV TENSION BRAKE DESCRIPTION

These brakes are commonly used on roll feeds for presses, unwinding reels, and similar applications.

LK CONSTANT TENSION BRAKE

The Model LK constant tension brake is a spring-loaded brake with a manual threaded adjustment sleeve. This sleeve allows the brake to be adjusted while the brake is running and takes up for wear. Once set, the brake torque is constant until wear accumulates to the point where an adjustment is required.

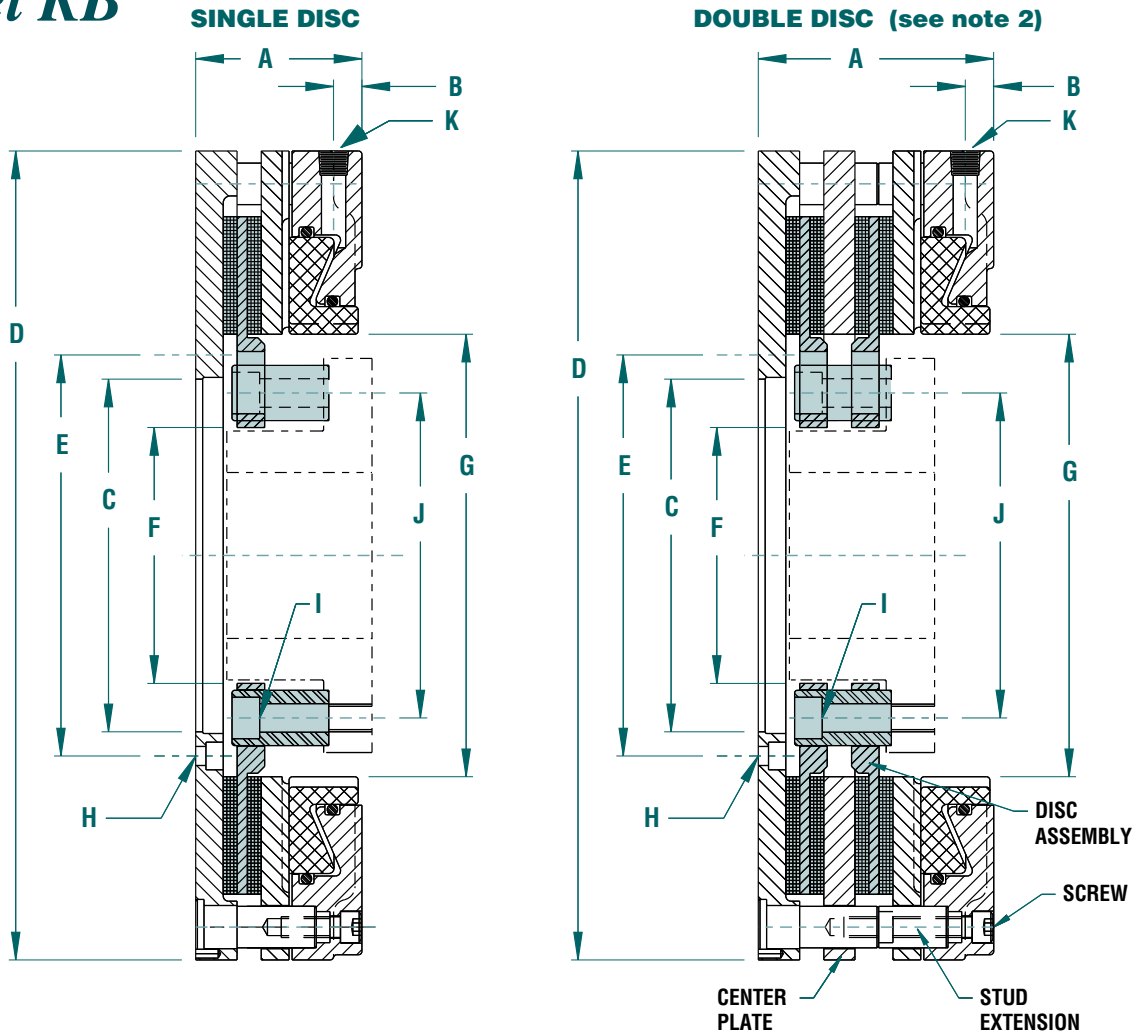
LKV VARIABLE TENSION BRAKE

The Model LKV variable tension brake incorporates an auxiliary cylinder/piston which can utilize either pneumatic or hydraulic pressure to vary the torque of the brake. This pressure may be introduced intermittently or continuously depending upon the application. A threaded adjustment sleeve, such as is used on the LK constant tension brake, allows a fixed pre-set torque to be maintained with zero actuation pressure and also takes up for wear.

LK OR LKV MOUNTING PLATE

The Model LK and LKV brakes are mounted to the machine with special mounting plates. The mounting plates incorporate flexible fingers to take up for wear and must be mounted with the fingers in tension. The direction of rotation must be specified to allow the proper selection of either a RH or LH mounting plate.

Model RB



DIMENSIONAL DATA

All dimensions in inches

RB Model	Static Torque @ 60 PSIG (lb.-in.)	Dynamic Torque @ 60 PSIG (lb.-in.)	Thermal Capacity (ft. lbs./min.)	Weight Inner (lbs.)	Weight Total (lbs.)	WR ² Inner (lb.-ft ²)	A	B	C	D	E	F	G	H		I		J	K	
														No.	Size	No.	Size			
RB-110	3,577	3,100	17,000	6.70	45.0	.54	2.75													
RB-210	7,270	6,300	25,650	12.20	52.0	.98	3.94	.50	5.376	12.25	6.125	4.25	7.13	6	5/16	6	3/8	5.250	1/4	
RB-112	7,500	6,500	27,000	9.25	65.0	1.05	3.00													
RB-212	15,000	13,000	40,500	16.50	75.0	1.91	4.25	.50	6.376	14.63	7.250	4.63	8.00	6	5/16	8	1/2	5.875	1/4	
RB-115	16,000	13,900	39,270	11.25	99.0	2.66	3.38													
RB-215	32,000	27,800	58,900	20.50	114.0	4.57	4.63	.50	9.000	17.88	9.750	7.13	10.00	12	5/16	8	1/2	8.500	1/4	

NOTES: 1.) Torque capacity based on 60 PSIG air pressure. Maximum air pressure = 60 PSIG
 2.) Optional Conversion Kit: Permits conversion of single disc model to double disc model. Consists of: Center plate, disc assembly, stud extensions, screws.

3.) Use certified drawing dimensions only for final layouts.
 4.) DXF and IGES files available upon request.
 5.) Dimensions subject to change without notice.

MODEL RB REEL BRAKE DESCRIPTION

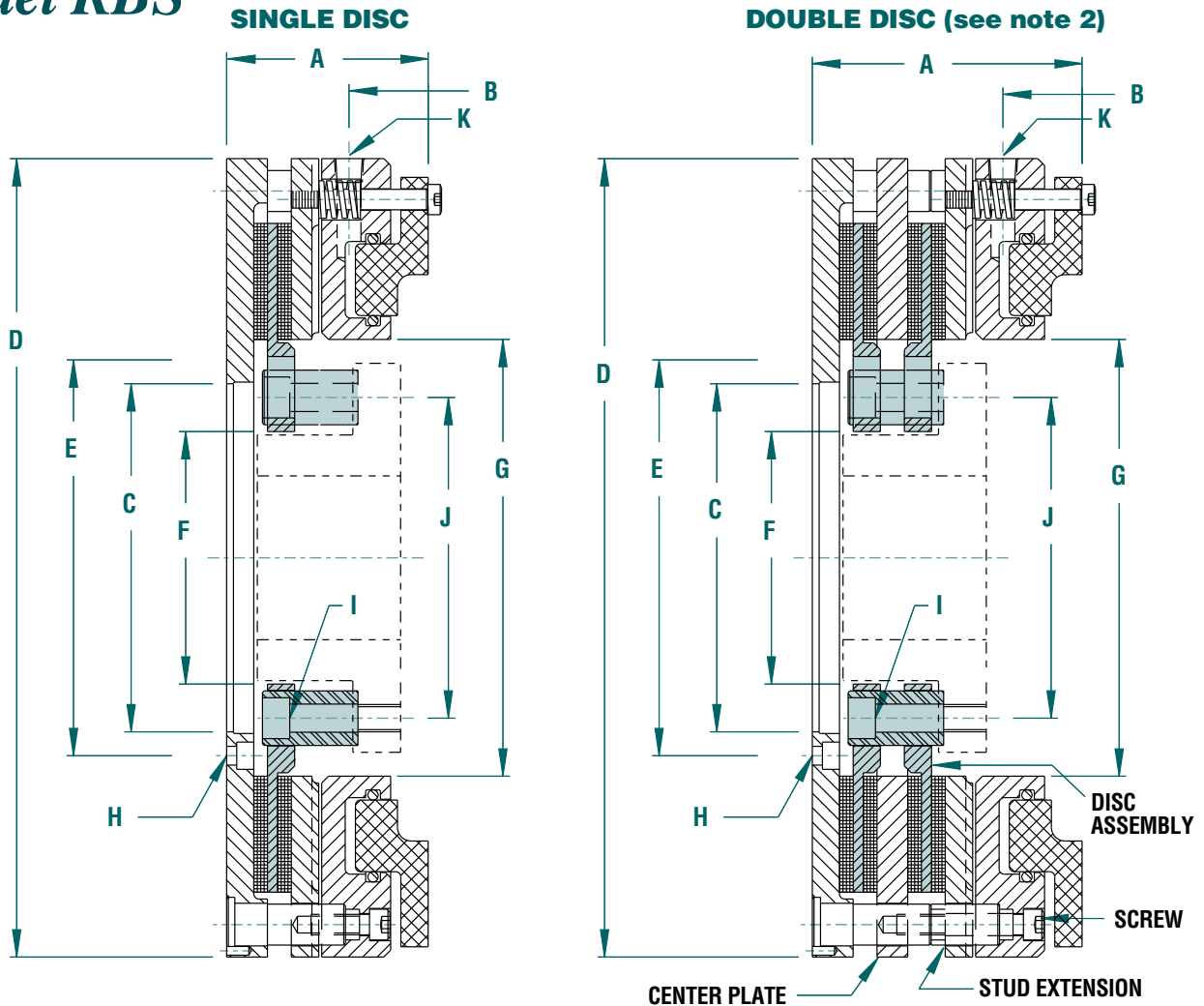
The Model RB brake was originally designed as an economical modular brake for use on reels as an alternative to electric brakes.

The unique modular design allows either a single or double disc unit to be installed within the same mounting bolt circle

by simply changing the stud extensions and adding or removing the appropriate components. Conversion kits are available for this purpose.

The Model RB brake exhibits quiet operation, consistent torque capacity, long life, and the ruggedness necessary for emergency stops at an economical price.

Model RBS



DIMENSIONAL DATA

All dimensions in inches

RBS Model	Static Torque @ 60 PSIG (lb.-in.)	Dynamic Torque @ 60 PSIG (lb.-in.)	Thermal Capacity (ft. lbs./min.)	Weight Inner (lbs.)	Weight Total (lbs.)	WR ² Inner (lb.-ft ²)	A	B	C	D	E	F	G	H		I		J	K	
														No.	Size	No.	Size			
RBS-110	3,577	3,100	17,000	6.70	49.0	.54	3.44													
RBS-210	7,270	6,300	25,650	12.20	56.0	.98	4.63	1.15	5.376	12.25	6.125	4.25	7.13	6	5/16	6	3/8	5.250	1/4	
RBS-112	7,500	6,500	27,000	9.25	71.0	1.05	3.69													
RBS-212	15,000	13,000	40,500	16.50	81.0	1.91	4.94	1.15	6.376	14.63	7.250	4.63	8.00	6	5/16	8	1/2	5.875	1/4	
RBS-115	16,000	13,900	39,270	11.25	109.0	2.66	4.13													
RBS-215	32,000	27,800	58,900	20.50	124.0	4.57	5.38	1.15	9.000	17.88	9.750	7.13	10.00	12	5/16	8	1/2	8.500	1/4	

- NOTES:** 1.) Torque capacity based on 60 PSIG release pressure.
 2.) Optional Conversion Kit: Permits conversion of single disc model to double disc model. Consists of: Center plate, disc assembly, stud extensions, screws.

- 3.) Use certified drawing dimensions only for final layouts.
 4.) DXF and IGES files available upon request.
 5.) Dimensions subject to change without notice.

MODEL RBS REEL BRAKE DESCRIPTION

The Model RBS brake is identical to our Model RB brake except that this model is spring set and air released.

Air pressure applied to the brake can be varied to adjust the torque desired or to fully release the brake. The absence of air pressure allows the brake to operate fully engaged for those applications requiring full holding torque under these conditions.